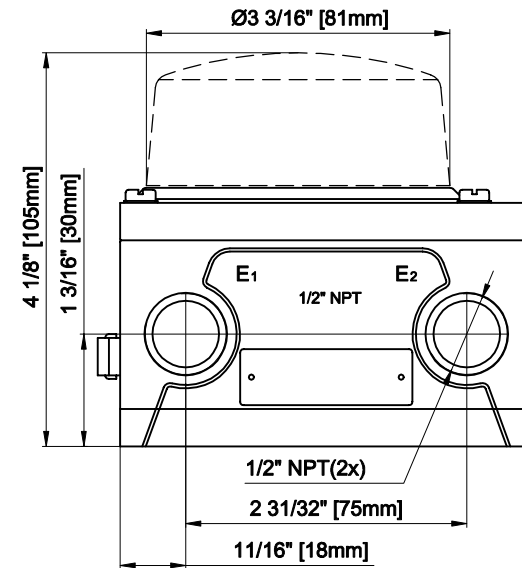
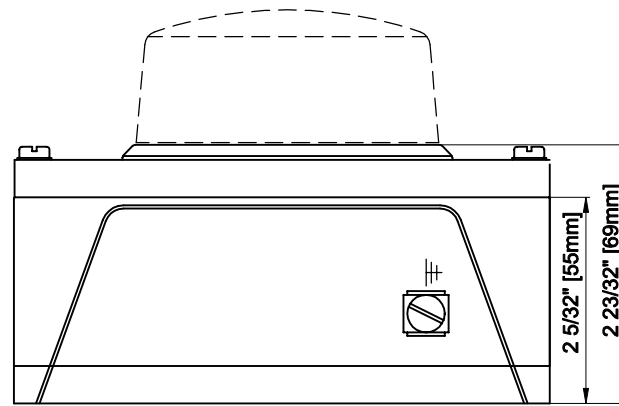
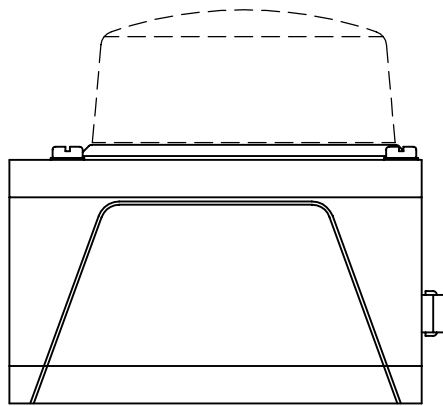
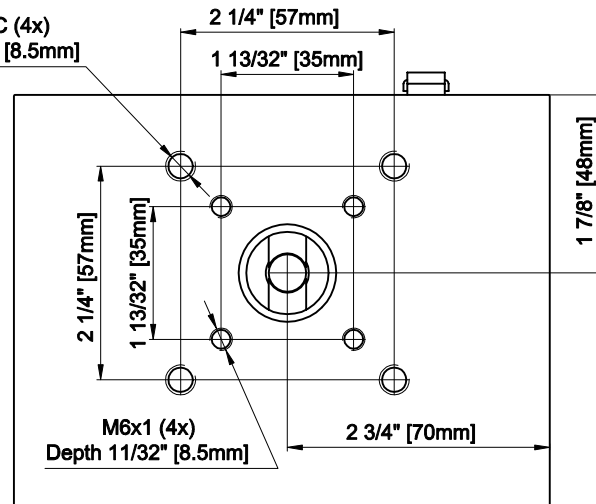


R300



5/16" UNC (4x)
Depth 11/32" [8.5mm]



Designed: 01 09 14	Designer: Lennart Nord	Drawing scale: 1:1	Format: A2	Sheet: 1/1
Tracking no: 10148	Rev. no: R0	Product no: R300	Title, Name or Description: Dim Dwg R300 std	Rev.date: (ymd) 01 09 14