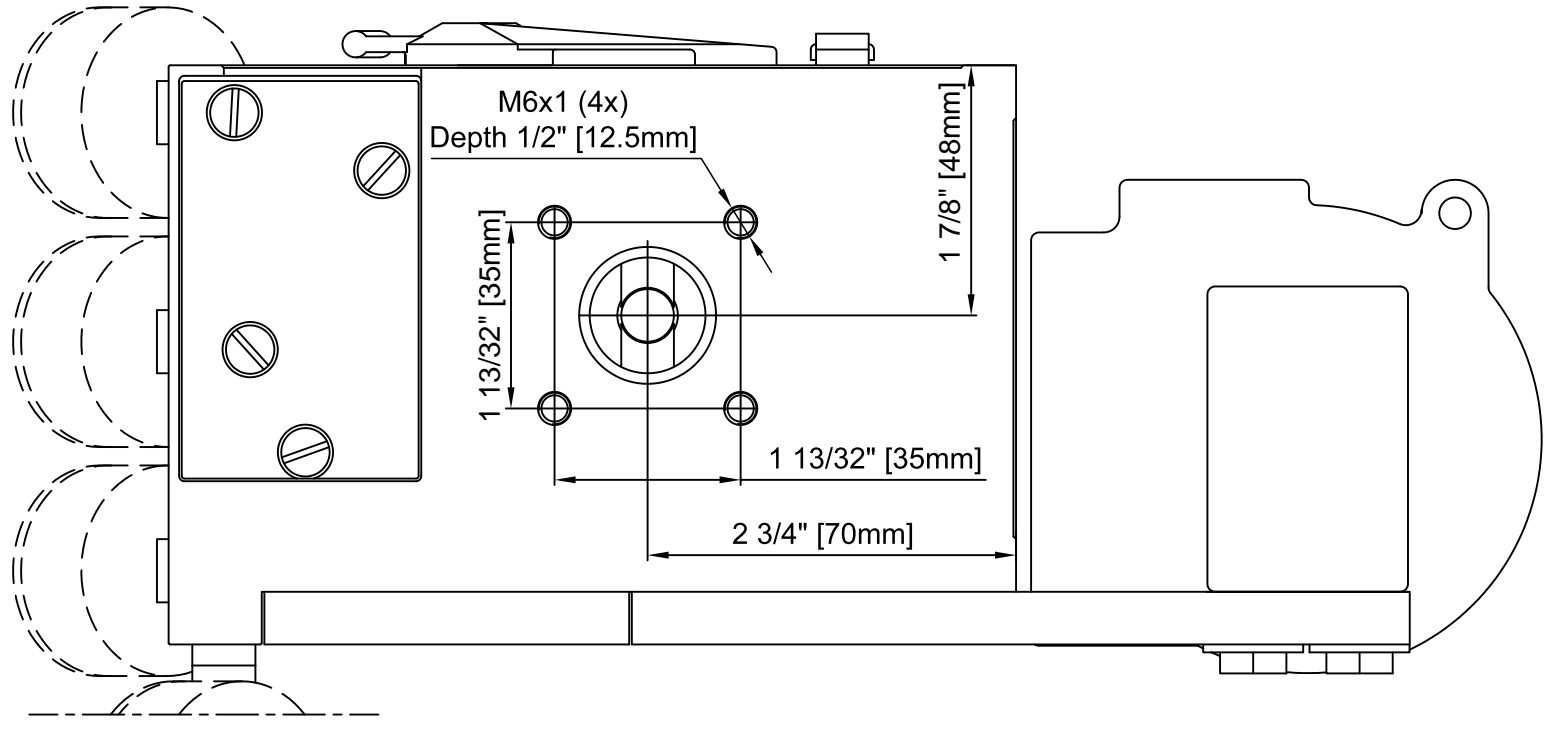
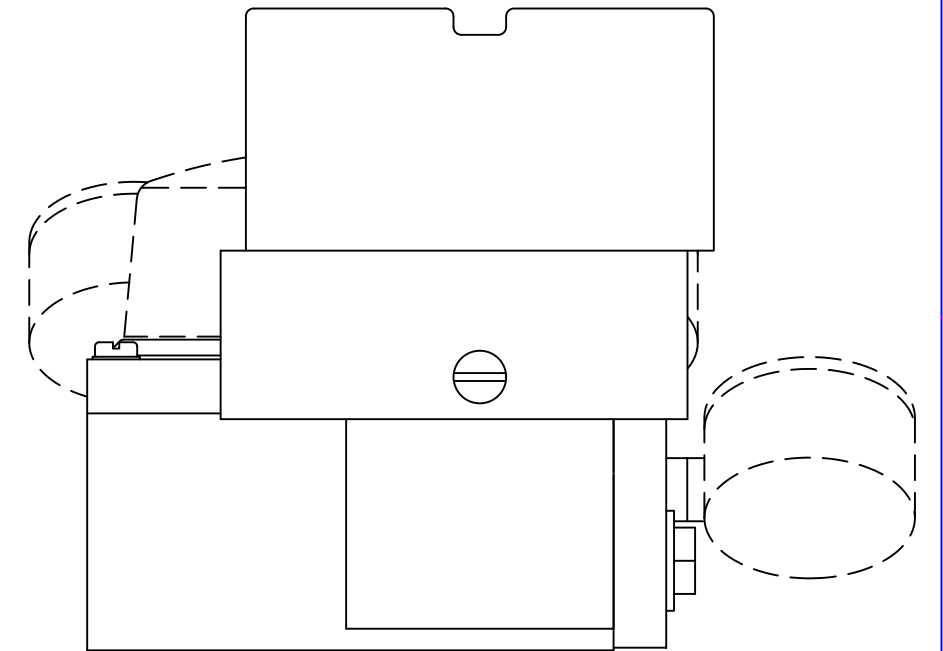
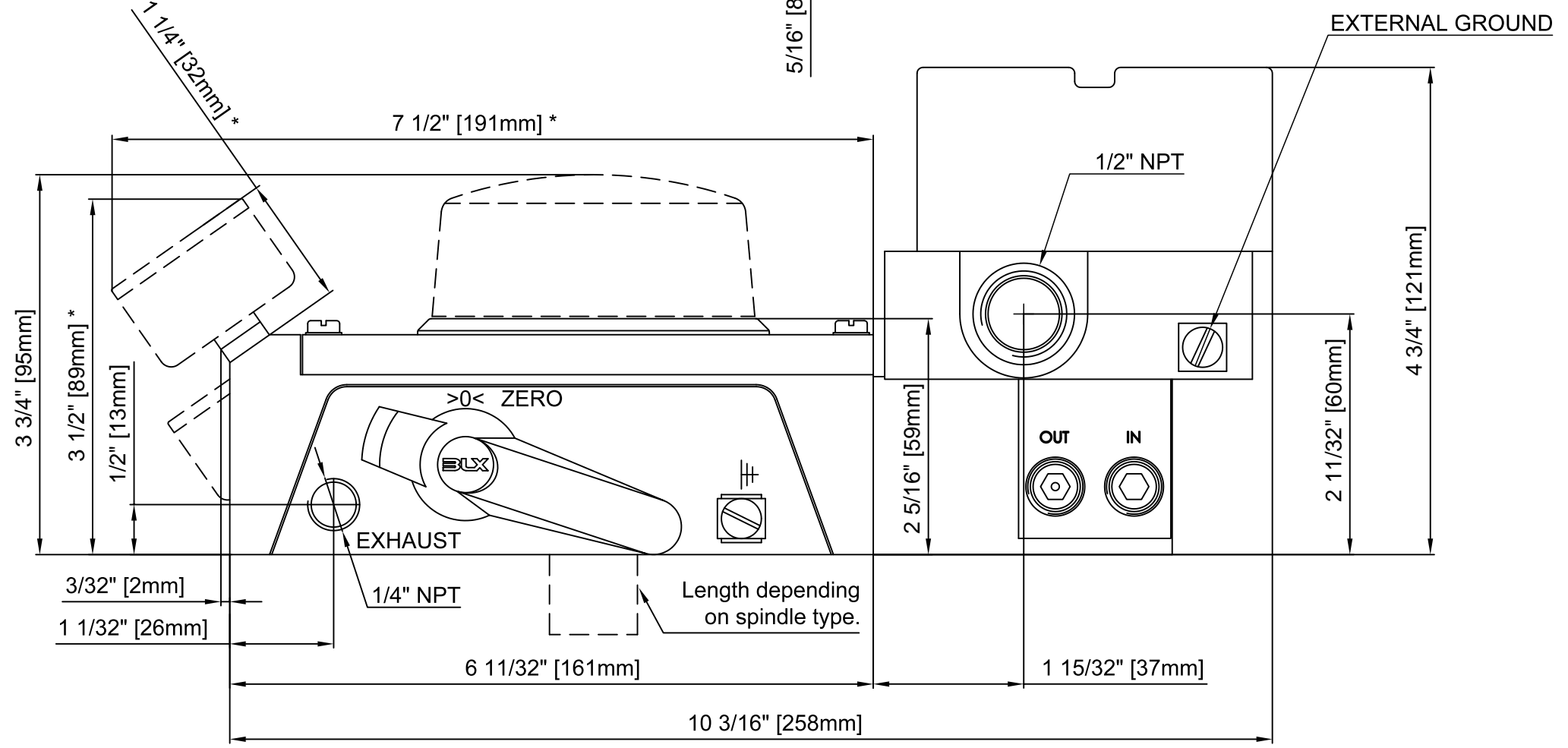
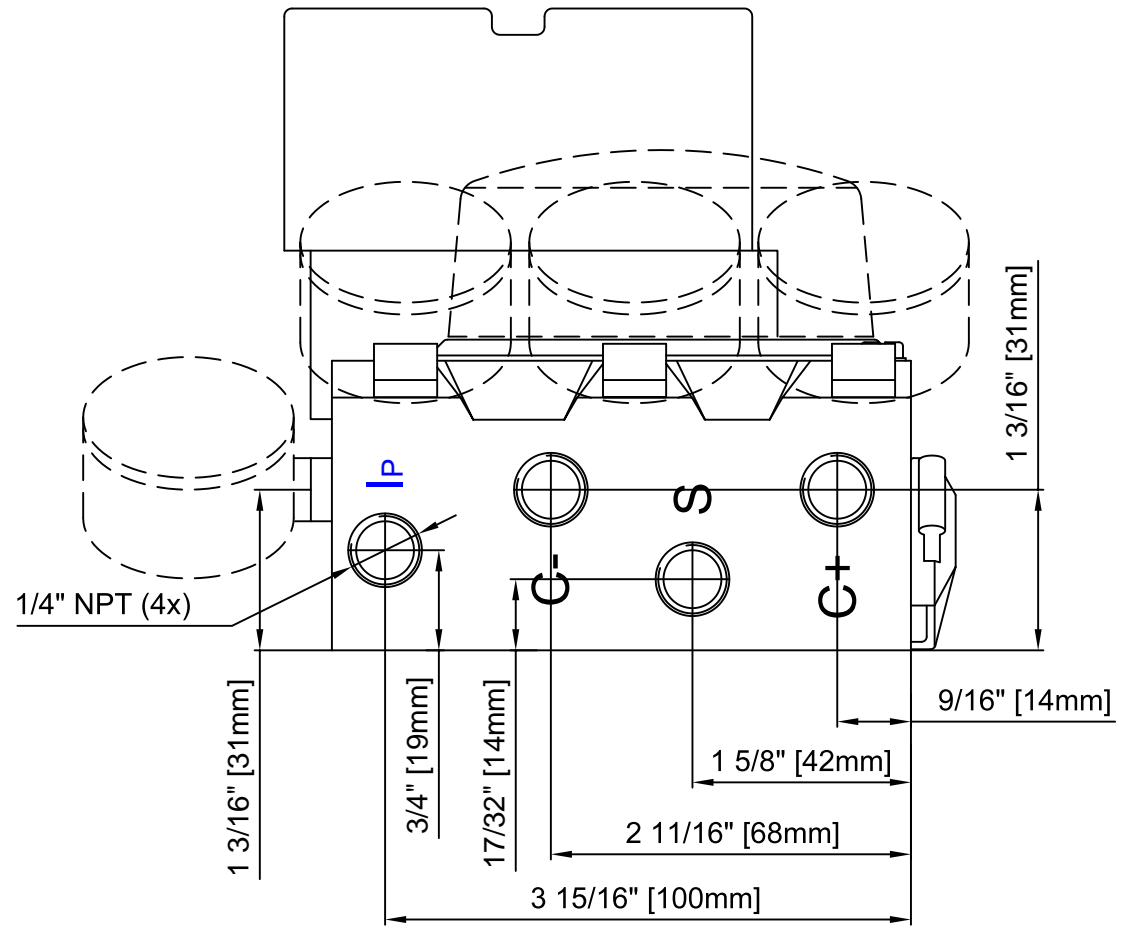
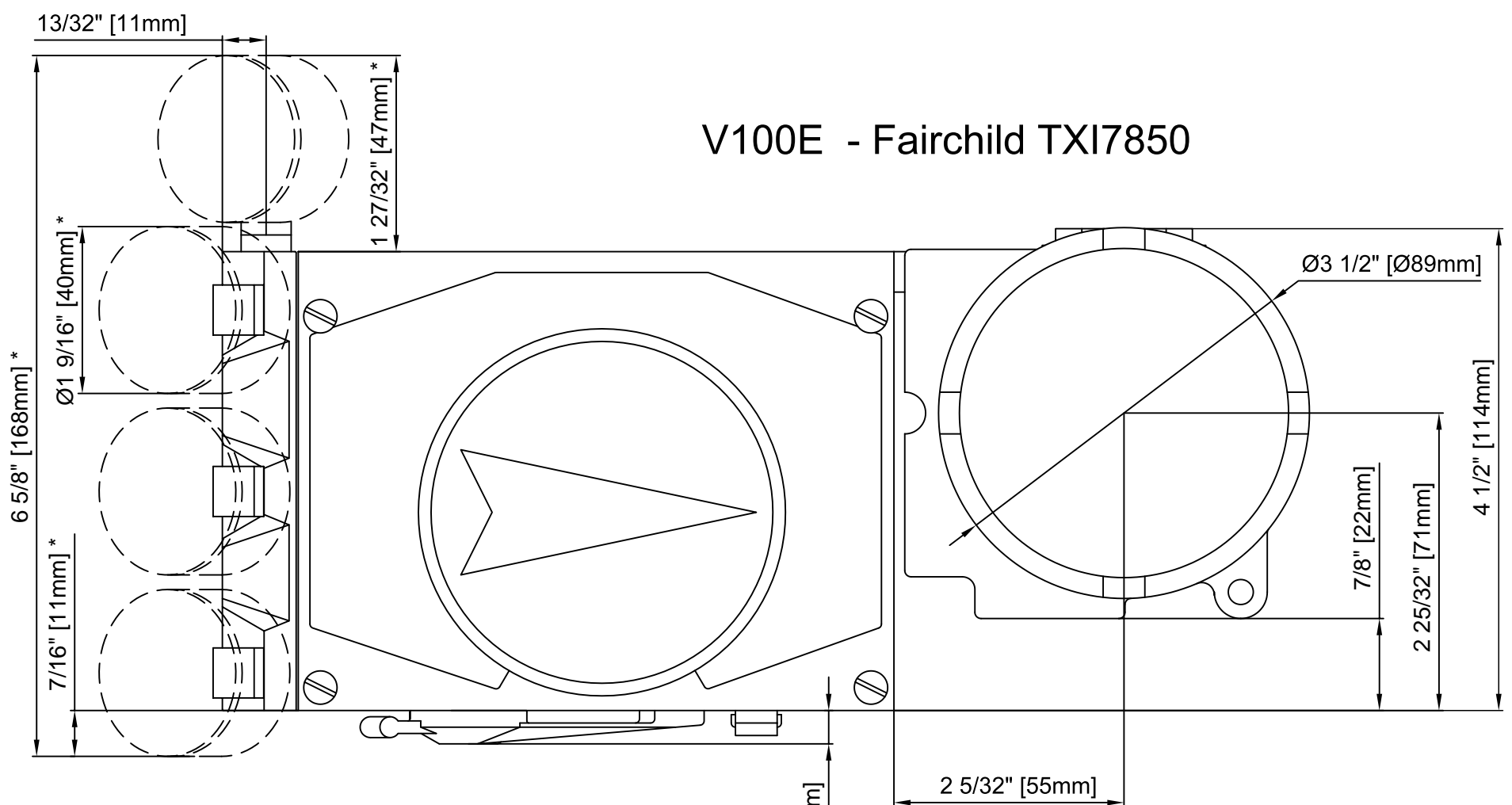


V100E - Fairchild TXI7850

* Dimensions with gauges are gauge brand dependent.



CERTIFIED