

XA (SERIES LIMIT SWITCH BOX)

The SOLDO XA series hazardous location limit switch provides a compact design and cost effective solution for both visual and remote electrical indication of rotary valve/actuator position. The heavy-duty design and wide variety of options make the XA series the ideal multi-purpose limit switch for use in NEMA 4, 4X, 7 & 9 applications.

(EXPLOSION PROOF AND WEATHER PROOF)

XA series is cULus listed NEMA 4, 4X, 7 & 9 and weather proof IP67.

(ALUMINIUM HOUSING)

The dichromated die cast aluminum enclosure is polyester powder coating with a stainless steel shaft, making the this unit ideal for use in hostile environments. Housings include captive cover screws to permit calibration without potential for losing screws. The housing is compact and yet large enough to accomodate as many as four switches.

(HIGH VISIBILITY 3D POSITION INDICATOR)

The environmentally-sealed 3D indicator provides visual confirmation of valve/actuator position. Options include 3D indicators for L and T port 3-way valves.

(JUNCTION BOX)

Switches are factory wired to Printed Circuit Boards to simplify installation and maintenance. Each PCB terminal strip includes spare terminals to accomodate optional solenoid valves. This feature provides a significant cost saving by eliminating the need for a separate junction box and associated labor.

(HIGH RESOLUTION SPLINED CAMS)

Easy-Set cams are splined, spring loaded and independently adjustable. This design offers tool free calibration and positive vibration resistant engagement.

(SWITCH OPTIONS)

XA series can be provided with different types of switches: SPDT or DPDT electromechanical silver plated or gold plated contacts; cylindrical, V3 or slot type inductive proximity NPN or PNP; SPDT or DPDT magnetic proximity; NAMUR proximity switches for intrinsically safe applications. AS-i digital communication interface card, or 2 wire 4-20mA current position transmitter.

(STANDARDIZED MOUNTING)

Housing conforms to international dimensional standards with NAMUR VDI/VDE 3845 output shaft dimensions and ISO F05 bolt hole locations. This maximizes interchangeability plus reduces cost by eliminating need for switch/actuator coupler. A complete range of stainless steel mounting kits to fit XAB both on pneumatic actuators (standardized or not) and on lever operated valves are available.

(TWIN-SHAFT DESIGN)

The primary shaft is located in the housing base and connects to a mating shaft located in the hosing cover. This unique Twin-Shaft feature allows easy and accurate housing assembly by eliminating the blind-hole configuration associated with competitive switch boxes. This also minimizes clearance requirements for cover removal and reinstallation.



(MATERIALS)

Body and cover : die cast polyester powder coated aluminium
Indicator dome : UV resistant and 94-V0 polycarbonate
Shaft : stainless steel
Fasteners : stainless steel

(RATINGS)

Operating temperature range DIV 1 -13°F[-25°C] to 176°F[80°C]
Operating temperature range DIV 2 -40°F[-40°C] to 176°F[80°C]
Temp. range may vary due to switch range and switch approvals
Electrical: according to switch option

(SWITCH APPROVALS)

CLASS I DIVISION 1 GROUPS C, D
CLASS I DIVISION 2 GROUPS A, B, C, D (magnetic prox. sensors only)
CLASS II DIVISION 1 GROUPS E, F, G
CLASS II DIVISION 2 GROUPS F, G

SOLDO USA LLC

10178 International Blvd. - Cincinnati, Ohio 45246
tel. (513) 860-5465 - fax (513) 860-5464
e-mail: usa@soldo.net

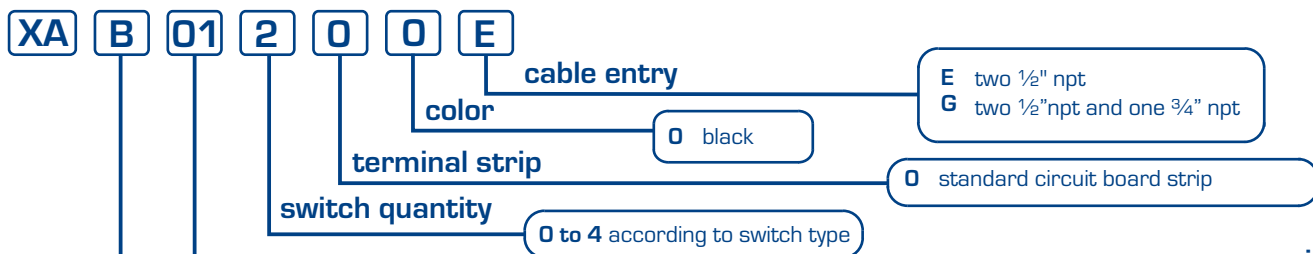
SOLDO
CONTROLS

BULLETIN NUMBER: PS00098-03

[www.soldo.net]

XA (SERIES LIMIT SWITCH BOX)

(HOW TO ORDER)



switch type	rating	max switches installed
01 electromech SPDT silver plated contacts	5A@250VAC, 0.5A@24VDC, resistive/inductive	4
03 electromech SPDT gold plated contacts	0.1A@120VAC resistive	4
05 electromech DPDT silver plated contacts	5A@250VAC	2
06 electromech DPDT gold plated contacts	0.1A@120VAC resistive	2
10 proximity SPST	0.25A@120VAC, 0.416A@48VDC, resistive	4
11 proximity SPST (one green and one red LED)	1A@125VAC, 1A@125VAC, resistive	4
13 proximity SPST, Bifurcated	1.5A@120VAC, 0.55A@24VDC, resistive/inductive	4
14 proximity SPDT (standard)	0.25A@120VAC, 0.416A@48VDC, resistive	4
16 proximity DPDT	0.25A@120VAC, 0.416A@48VDC, resistive	2
70 proximity NAMUR P+F NJ2-V3-N	NAMUR 2 wire, supply voltage 8VDC	4
71 proximity NO P+F NBB2-V3-US	2 wire, 5 to 200mA, 20 to 140 volts (AC or DC)	4
73 proximity NO PNP P+F NBB3-V3-E2	3 wire, PNP, 5 to 100mA @ 30VDC, amplified	4
AS AS-interface	two inputs plus one 100mA output	2
AN AS-interface with 2 SPDT Nova N1 prox switches	two inputs plus one 100mA output	2
DA electromech two DPDT plus three SPDT	3 position control + position feedback for double acting actuator ⁽¹⁾	5
DB electromech two DPDT plus three SPDT	3 position control + position feedback for spring return actuator ⁽¹⁾	5
DC electromech SPDT	3 position control, no position indication for double acting actuator ⁽¹⁾	2
DE electromech SPDT	3 position control, no position indication for spring return actuator ⁽¹⁾	2
DN DeviceNET Protocol with electromech SPDT	four inputs plus two 200mA outputs	2
TA transmitter plus two mechanical SPDT switches	4-20mA output, 9-30VDC ⁽¹⁾	2
TN transmitter plus two SPDT Nova N1 prox switches	4-20mA output, 9-30VDC plus switch rated same as type N1	2
TX transmitter only	4-20mA output, 9-30VDC	0
N1 proximity SPDT, silver-oxide, hermetically sealed	5A@250VAC, 5A@28VDC, resistive/inductive	4
N3 proximity SPDT, gold bifurcated, hermetically sealed	1A@125VAC, 1A@30VDC, resistive/inductive/capacitive	4

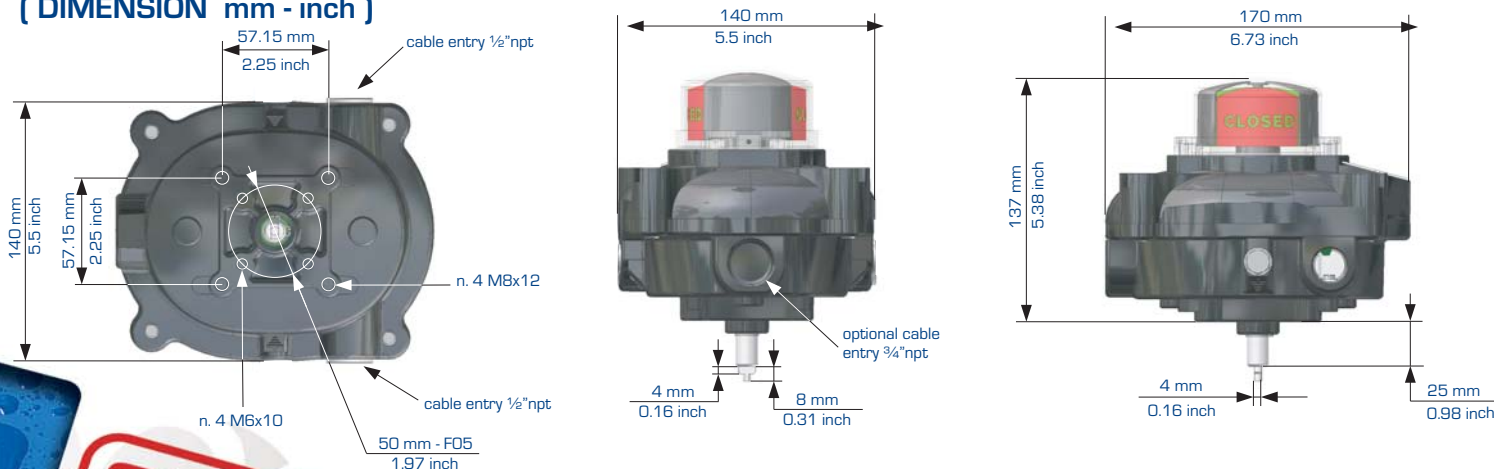
indicator

- B** 3D indicator
- L** three-way 3D indicator (L port)
- T** three-way 3D indicator (T port)
- Z** three-way 3D indicator (T port, blocked center)
- S** stainless steel 3D indicator

NOTES

- Terminal strip options depend on switch type.
- * Resistive loads when not specified.
- ⁽¹⁾ Same switch rating as type 01

(DIMENSION mm - inch)



BULLETIN NUMBER: PS00098-03

SOLDO USA LLC
 10178 International Blvd. - Cincinnati, Ohio 45246
 tel. (513) 860-5465 - fax (513) 860-5464
 e-mail: usa@soldo.net