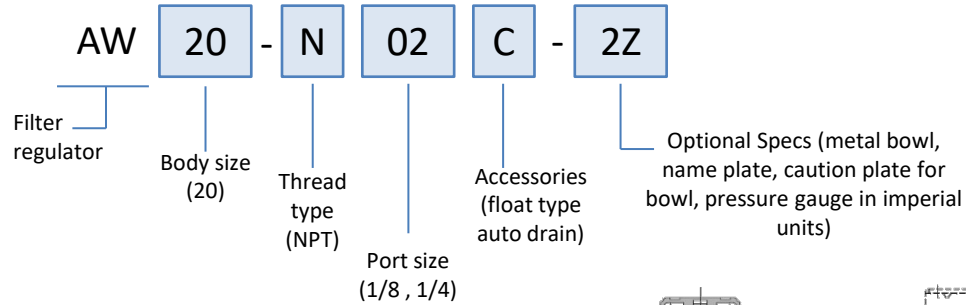


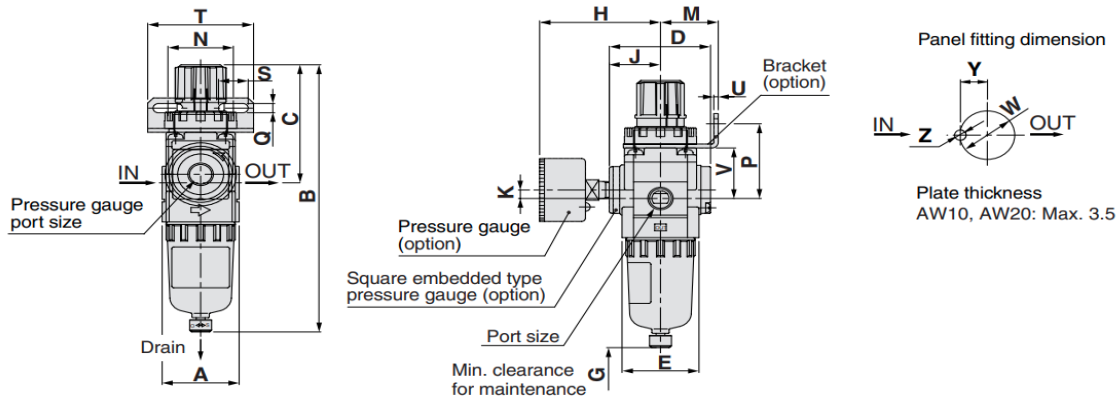
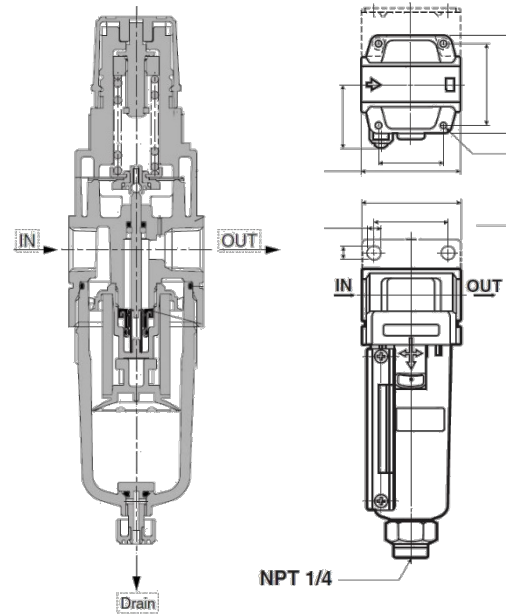


# Coalescing Filter Regulator

VAC Part Number: 400481



Standard Specifications	
Port sizes	1/8, 1/4
Fluid	Air
Proof pressure	1.5MPa
Maximum operating pressure	1.0MPa
Set pressure range	0.05 to 0.85MPa
Pressure gauge port size	Rc, NPT, G 1/8
Relief pressure	Set pressure + 0.05MPa
Ambient and fluid temperature	-5 to 60°C (with no freezing)
Nominal filtration rating	5µm
Drain capacity (cm <sup>3</sup> )	8
Bowl material	Polycarbonate
Bowl guard	Option
Construction	Relieving type
Weight (kg)	0.32



Model	Port size	Standard specification							Accessory specification													
		A	B	C	D	E	G	With pressure gauge			Bracket mounting size						Panel mount			With auto drain		
								H	J	K	M	N	P	Q	S	T	U	V	W	Y	Z	B
AW10	M5 x 0.8	25	108	48	25	28	25	26	—	0	25	28	30	4.5	6.5	40	2	18	18.5	—	—	125
AW20	1/8, 1/4	40	160	73	52	40	40	63	27	5	30	34	44	5.4	15.4	55	2.3	30	28.5	14	6	177
AW30	1/4, 3/8	53	201	86	59	57	55	66	30.5	3.5	41	40	46	6.5	8	53	2.3	31	38.5	19	7	242
AW40	1/4, 3/8, 1/2	70	239	92	75	73	80	76	38.5	1.5	50	54	54	8.5	10.5	70	2.3	35.5	42.5	21	7	278
AW40-06	3/4	75	242	93	75	73	80	76	38.5	1.2	50	54	56	8.5	10.5	70	2.3	37	42.5	21	7	278