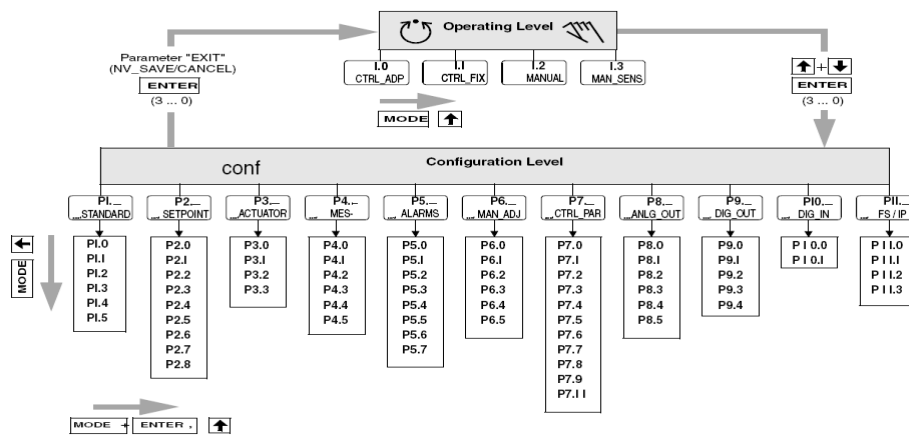


D400 Menu structure 3.0



Lev	Display	Function	Parameter	Unit	Factory setting
P1... STANDARD					
P1.0	ACTUATOR	Actuator type	LINEAR, ROTARY	---	LINEAR
P1.1	AUTO_ADJ	Auto adjust	Function / Funktion	---	---
P1.2	ADJ_MODE	Auto adjust mode	FULL,STROKE_CTRL_PAR.	---	FULL
P1.3	TEST	Test	Function / Funktion	---	INACTIVE
P1.4	EXIT	Return	Function / Funktion	---	NV_SAVE
P2... SETPOINT					
P2.0	MIN_RGE	Min setpoint range	4.0 ... 18.4	mA	4.0
P2.1	MAX_RGE	Max setpoint range	20.0 ... 5.6	mA	20.0
P2.2	CHARACT	Charact. curve	LINEAR,1;25,1;50,25;1,50;1,USERD	---	LINEAR
P2.3	ACTION	Valve action	DIRECT, REVERSE	---	DIRECT
P2.4	SHUT_CLS	Shut-off value 0%	OFF, 0.1... 45.0	%	1.0
P2.5	SHUT_OPN	Shut off value 100%	55.0 ... 100.0, OFF	%	OFF
P2.6	RAMP_UP	Set point ramp, up	OFF, 0 ... 200	---	OFF
P2.7	RAMP_DN	Set point ramp, down	OFF, 0 ... 200	---	OFF
P2.8	EXIT	Return	Function / Funktion	---	NV_SAVE
P3... ACTUATOR					
P3.0	MIN_RGE	Min. of stroke range	0.0...90.0	%	0.0
P3.1	MAX_RGE	Max. of stroke range	100.0 ... 10.0	%	100
P3.2	ZERO_POS	Zero position	CLOCKWISE, CTCLOCKWISE	---	CTCLOCKWISE
P3.3	EXIT	Return	Function / Funktion	---	NV_SAVE
P4... MESSAGES					
P4.0	TIME_OUT	Control time out	OFF, ...200	---	OFF
P4.1	POS_SW1	Position switch 1	0.0...100.0	%	0.0
P4.2	POS_SW2	Position switch 2	0.0...100.0	%	100.0
P4.3	SW1_ACTV	Switchpoint 1 enable	FALL BEL, EXCEED	---	FALL BEL
P4.4	SW2_ACTV	Switchpoint 2 enable	FALL BEL, EXCEED	---	EXCEED
P4.5	EXIT	Return	Function / Funktion	---	NV_SAVE
P5... ALARMS					
P5.0	LEAKAGE	Leakage detection	ACTIVE, INACTIVE	---	INACTIVE
P5.1	SP_RGE	Setpoint rng monitor	ACTIVE, INACTIVE	---	INACTIVE
P5.2	SENS_RGE	Sens. range monitor	ACTIVE, INACTIVE	---	INACTIVE
P5.3	CTRLER	Controller monitor	ACTIVE, INACTIVE	---	INACTIVE
P5.4	TIME-OUT	Control time-out	ACTIVE, INACTIVE	---	INACTIVE
P5.5	STRK_CTR	Stroke counter	ACTIVE, INACTIVE	---	INACTIVE
P5.6	TRAVEL	Travel counter	ACTIVE, INACTIVE	---	INACTIVE
P5.7	EXIT	Return	Function / Funktion	---	NV_SAVE
P6... MAN_ADJ					
P6.0	MIN_VR	Min. valve range	0.0...100.0	%	0
P6.1	MAX_VR	Max. valve range	0.0...100.0	%	100
P6.2	ACTUATOR	Actuator type	LINEAR, ROTARY	---	LINEAR
P6.3	SPRNG_Y2	Spring action (Y2)	CLOCKWISE, CTCLOCKWISE	---	CTCLOCKWISE
P6.4	DANG_DN	Dead angle close	0.0 ... 45.0	%	0.0
P6.5	DANG_UP	Dead angle open	55.0 ... 100.0	%	100.0
P6.6	EXIT	Return	Function / Funktion	---	NV_SAVE
P7... CTRL_PAR					
P7.0	KP_UP	KP value, up	0.1 ... 120.0	---	5.0
P7.1	KP_DN	KP value, down	0.1 ... 120.0	---	5.0
P7.2	TV_UP	TV value, up	10..450	---	200
P7.3	TV_DN	TV value, down	10..450	---	200
P7.4	Y-OFS_UP	Y offset, up	0.0...100.0	%	48.0
P7.5	Y-OFS_DN	Y offset, down	0.0...100.0	%	48.0
P7.6	TOL_BAND	Toleranzband (zone)	0.3 ... 10.0	%	1.5
P7.7	DEADBAND	Deadband	0.10 ... 10.00	%	0.10
P7.8	DB_APPR	Deadband Approach	SLOW, MEDIUM, FAST	---	FAST
P7.9	TEST	Test	Function / Funktion	---	INACTIVE
P7.10	EXIT	Return	Function / Funktion	---	NV_SAVE
P8... ANLG_OUT					
P8.0	MIN_RGE	Min. range	4.0 ... 18.4	mA	4.0
P8.1	MAX_RGE	Max. range	20.0 ... 5.7	mA	20.0
P8.2	ACTION	Action	DIRECT, REVERSE	---	DIRECT
P8.3	ALARM	Alarm current	HIGH_CUR, LOW_CUR	---	HIGH_CUR
P8.4	RB_CHAR	Readback character.	DIRECT, RECALC	---	DIRECT
P8.5	TEST	Test	Function / Funktion	---	NONE
P8.6	EXIT	Return	Function / Funktion	---	---
P9... DIG_OUT					
P9.0	ALRM_LOG	Alarm logic	ACTIVE HI, ACTIVE LO	---	ACTIVE HI
P9.1	SW1_LOG	Switchpoint 1 logic	ACTIVE HI, ACTIVE LO	---	ACTIVE HI
P9.2	SW2_LOG	Switchpoint 2 logic	ACTIVE HI, ACTIVE LO	---	ACTIVE HI
P9.3	TEST	Test	Function / Funktion	---	NONE
P9.4	EXIT	Return	Function / Funktion	---	NV_SAVE
P10... DIG_IN					
P10.0	FUNCTION	Function select	NONE, POS_0%, POS_100%, POS_HOLD	---	NONE
P10.1	EXIT	Return	Function / Funktion	---	---
P11... FS/IP					
P11.0	FAIL_POS	Save position	ACTIVE, INACTIVE	---	INACTIVE
P11.1	FACT_SET	Factory setting	Function / Funktion	---	START
P11.2	IP-TYP	I/P module type	NO_F_POS,F_SAFE_1,F_SAFE_2,F_FREEZE1,F_FREEZE2	---	[CUSTOM]
P11.3	EXIT	Return	Function / Funktion	---	NV_SAVE