

Electrical connection



Warning! Risk of explosion! (D400 only)

It is prohibited to use the integrated communication interface (LKS) in an Ex area.

Never use the integrated communication interface (LKS) on the mainboard with a positioner that is being used in an explosion risk area.

1. Strip the wire by approx. 6 mm (0.24 inch).
2. To connect the signal lines, the emergency shutdown module and the proximity switches or micro switches, insert the wire ends from the left into the respective screw terminals and hand-tighten the screws (access from above). To connect a plug-in module, insert the wire ends from above in the appropriate screw terminals and hand-tighten the screws (access from the side).

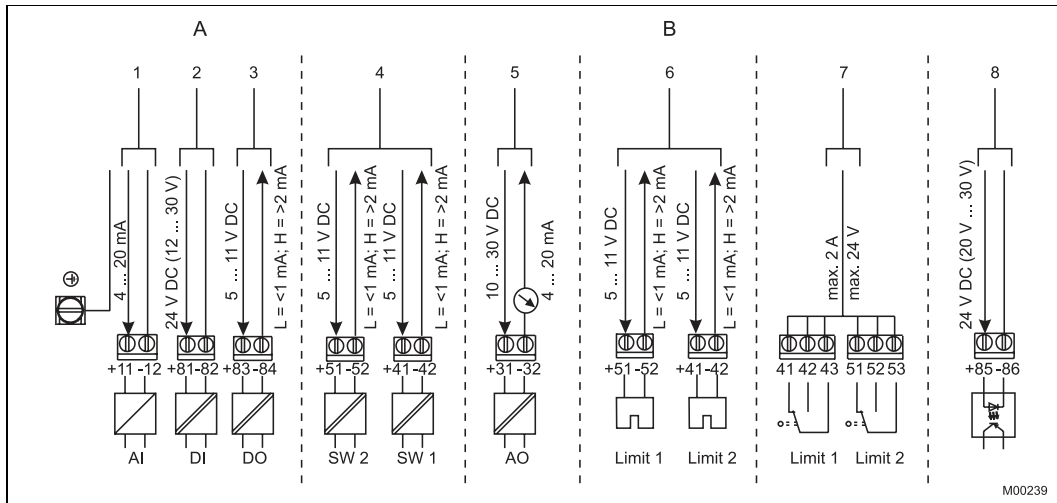


Fig. 13: Terminal connection diagram

A Basic model
B Options

- 1 Analog input / Bus connector
- 2 Digital input ¹⁾
- 3 Digital output ¹⁾
- 4 Digital feedback ¹⁾
- 5 Analog feedback ¹⁾
- 6 Proximity switches
- 7 Microswitches
- 8 Emergency shutdown module

¹⁾ D400 only



Important

Keep cable shields as short as possible and connect on both sides.

Screw terminal assignments

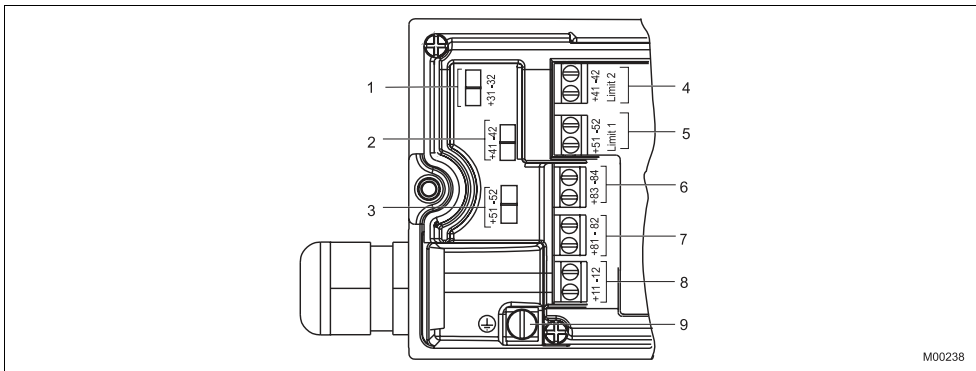


Fig. 14

- 1 Module for analog position feedback ¹⁾
- 2 Module for digital feedback ¹⁾ or service switch of emergency shutdown module
- 3 Module for digital position feedback ¹⁾ or terminals of the shutdown module
- 4 Installation kit for digital position feedback, either proximity switches or 24 V microswitches
- 5 Same as 4
- 6 Digital output DO ¹⁾
- 7 Digital input DI ¹⁾
- 8 Signal 4 ... 20 mA / Bus connector
- 9 Grounding screw

¹⁾ D400 only