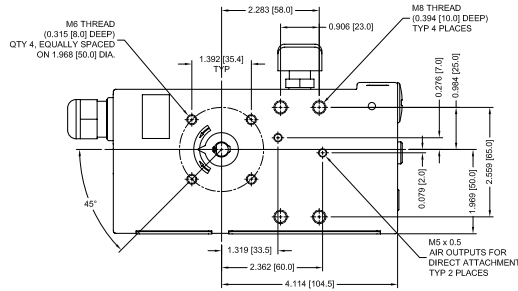
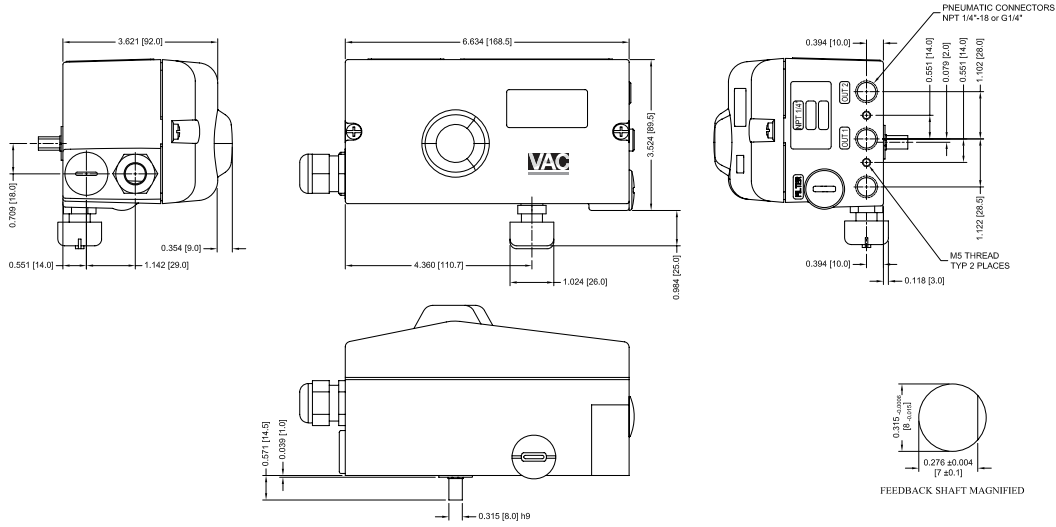




D400 Dimensional Drawings

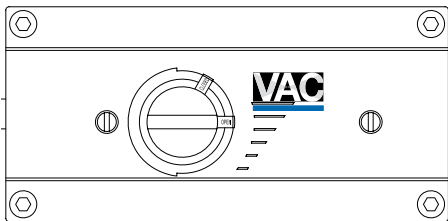
www.vacaccessories.com

D400

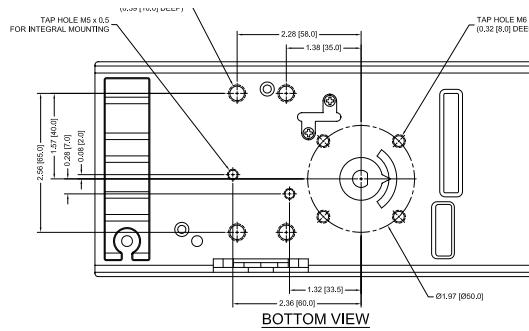


NOTES:
1. ALL DIMENSIONS ARE IN INCHES.
DIMENSIONS IN BRACKETS [] ARE IN MILLIMETERS

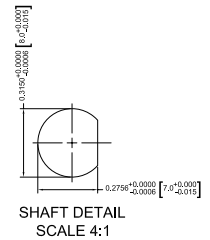
D400 EX



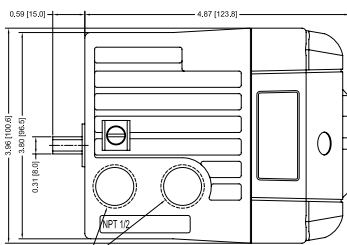
TOP VIEW



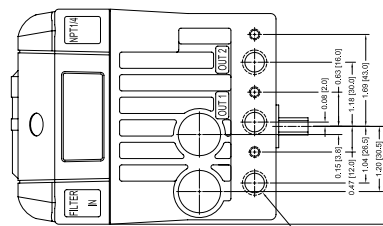
BOTTOM VIEW



SHAFT DETAIL
SCALE 4:1



LEFT SIDE VIEW



RIGHT SIDE VIEW



VALVE ACCESSORIES & CONTROLS, INC.
200 Jade Park • Chelsea, AL 35043
TEL: 205-678-0507 • FAX: 205-678-0510
vacaccessories.com



VALVE ACCESSORIES & CONTROLS, INC.
12942 Bedford Falls Dr.
Cypress, TX 77429
TEL: 713-253-7781 • FAX: 281-256-9399
randye@vacaccessories.com