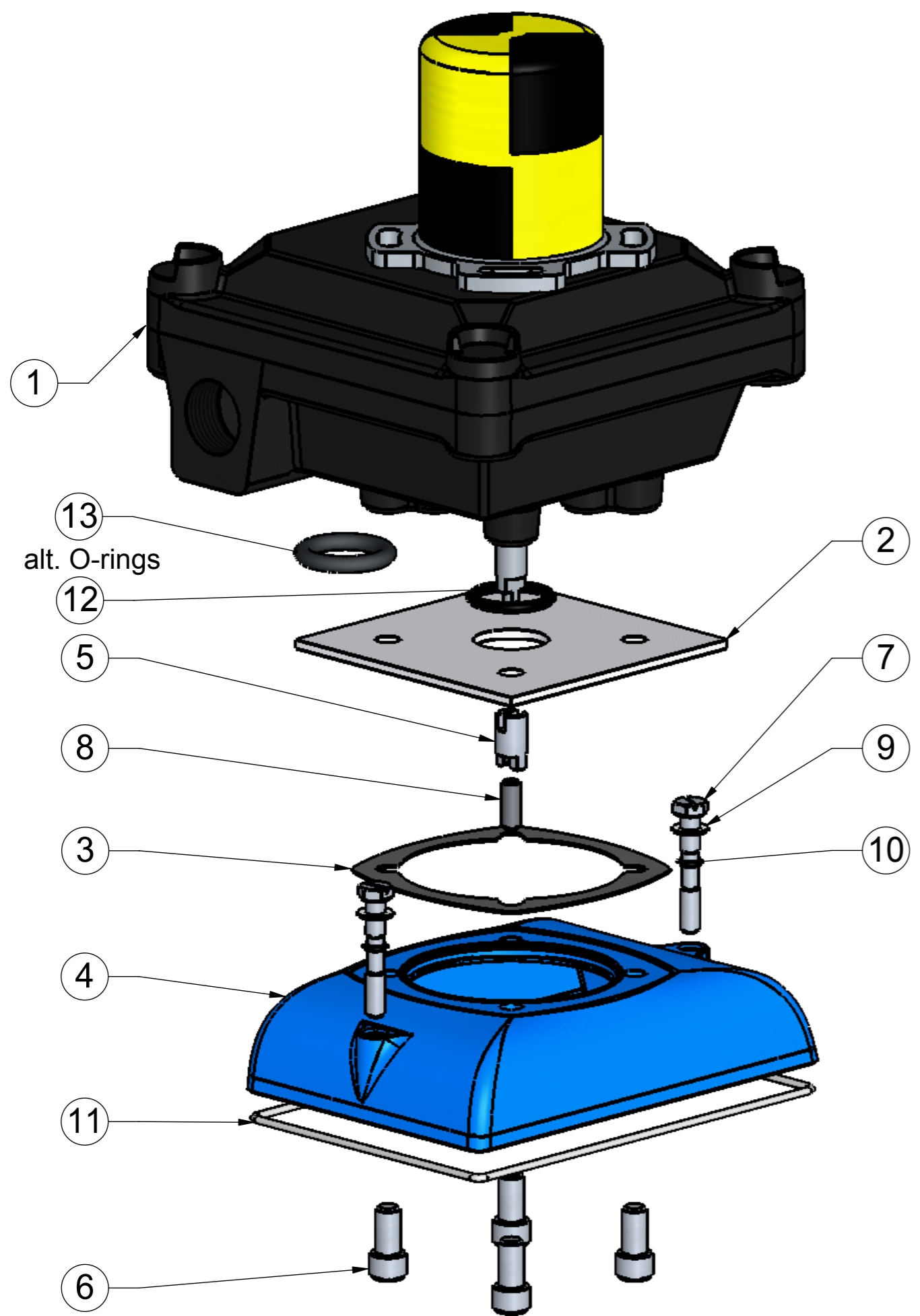


REV.	DESCRIPTION	DATE	APPR.
1	Pos.2: Part no. 90063 was 90120	2010-04-07	LN
2	Pos.8: Set screw ISO 4026 was ISO 7436. Pos.13: O-ring \varnothing 23x5 added	2013-08-08	LN



Item	PartNo	Description	Material	QTY.
1		Switch WESTLOCK 2007X		
① 2	90063	Scale Plate	SS-4104 / EN-AW 6063	1
3	90062	Scale Gasket	NBR-Nitrile	1
4	90127	Front cover	Die Cast Alloy	1
5	90121	Namur shaft coupling	A2/A3	1
6	Screw	HX-SHCS 5/16" - 5/8"(18mm)	A2/A3	4
7	Screw	ISO 4017 - M6 x 40-N	A2/A3	2
② 8	Set screw	ISO 4026 - M6 x 16-N	A2/A3	1
9	Washer	ISO 7089 - 6	A2/A3	2
10	O-ring	5,1x1,6mm	Nitrile	2
11	O-ring	Mounted (163x2 alt. 160x2)	NBR-Nitrile	1
12	O-ring	23x3mm	Nitrile	1
② 13	O-ring	23x5mm	Nitrile	1

VAC File: 91016r2_130808_Mounting Kit Switchbox Westlock Namur
 Scale 1:1 First angle projection.
 Drawn by / date: Lennart Nord / 07 11 28 Part no: **350171**
 This drawing is the property of Valve Accessories & Control Sweden AB, protected in accordance with prevailing law. Revision date: **13-08-08**