

Manual adjustment (4-20mA) output mode:

- 1) Power On (Button on bottom of calibrator)
- 2) **OUT** then select output type (mA)
- 3) **T-ON** to turn output on
(ON will show on display and the RUN light will illuminate)
- 4) **◀** or **▶** to select output decimal place
- 5) **▲** or **▼** to change output value

Select Cycle in auto output mode:

- 1) **FN** to open Function menu
- 2) **▲** or **▼** to highlight EN-Program, press **IN** to enter Program menu
- 3) To customize the program **▲** or **▼** to highlight the parameter to change and press **IN** to edit, once changes are made press **IN** to accept the change
- 4) **▲** or **▼** to highlight Start and press **IN**
- 5) **▲** to start auto cycle
- 6) **▼** to pause auto cycle
- 7) **EXIT** to exit auto cycle

Select Custom Step in auto output mode:

- 1) **FN** to open Function menu
- 2) Highlight EN-Program, press **IN** to enter Program menu
- 3) **▼** to highlight Advanced and press **IN** to open Advanced menu
- 4) To customize the program **▲** or **▼** to highlight the parameter to change, press **IN** to edit, **◀** or **▶** to select digit to change **▲** or **▼** to change value, once changes are made, **IN** to accept change.
- 5) **▼** to Out range and press **IN** to select Custom
- 6) **FN** to return to Program menu
- 7) **▲** or **▼** to highlight Start and press **IN**
- 8) **▲** to start auto cycle/step
- 9) **▼** to pause auto cycle/step
- 10) **EXIT** to exit auto cycle


Pre-set configuration:

- 1) **FN** to open Function menu
- 2) **▲** or **▼** to highlight EN-Program, press **IN** to enter Pre-set menu
- 3) **▲** or **▼** to highlight Preset # to change, **IN** to edit **▲** or **▼** to change value, **IN** to accept change.
- 4) **FN** to return to Function menu
- 5) **FN** to return to main display



Button Quick Reference: Action - Press / Press and Hold

- IN** - Input selection / *Input menu*
- T-ON** - Toggles output on/off
- OUT** - Output selection / *Output menu*
- FN** - Function menu / *Toggle Pre-set on*
- L-TY** - Enter / *Changes input scale from 4-20mA to 0-100%*
- O-TY** - Changes output scale from 4-20mA to 0-100%
- EXIT** - Manual output value entry, exit program or preset mode / *toggle display style*

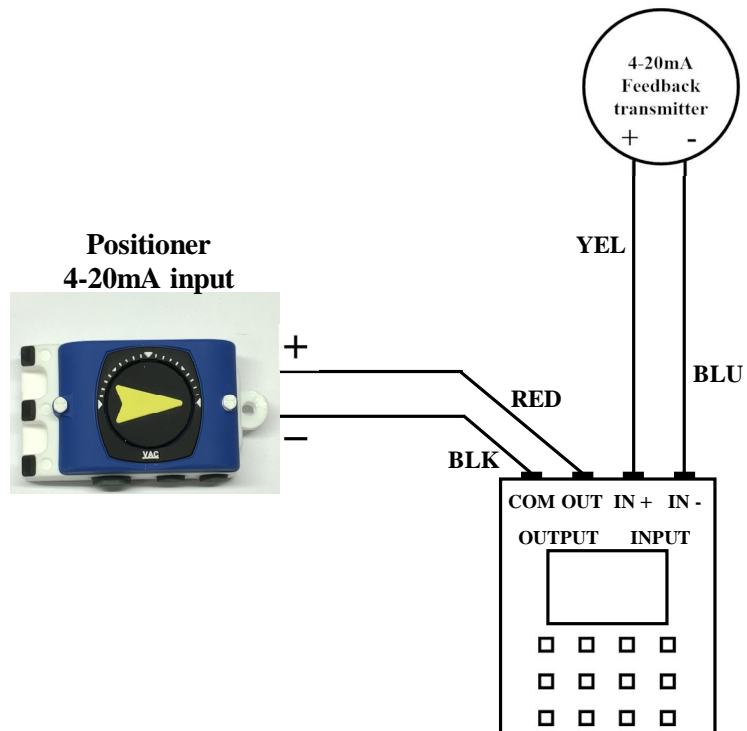
 Valve Accessories & Controls	
Title: Mr. Signal Basic instructions	
Author: SK	
Date: 12/4/19	Sheet: 1 of 1
Revision: 1	


Select input mode:

- 1) Power On (Button on bottom of calibrator)
- 2) IN select input type (mA)

Wiring Connections for reading position feedback :

- 1) Connect **Yellow** banana plug to IN - on Mr. Signal
Yellow clip goes to feedback +
- 2) Connect **Blue** banana plug to IN + on Mr. Signal
Blue clip goes to feedback -



 Valve Accessories & Controls	
Title: Mr. Sig. 2.0TFT-P4L read feedback instructions	
Author: SK	
Date: 3-16-20	Sheet: 1 of 1
Revision:	