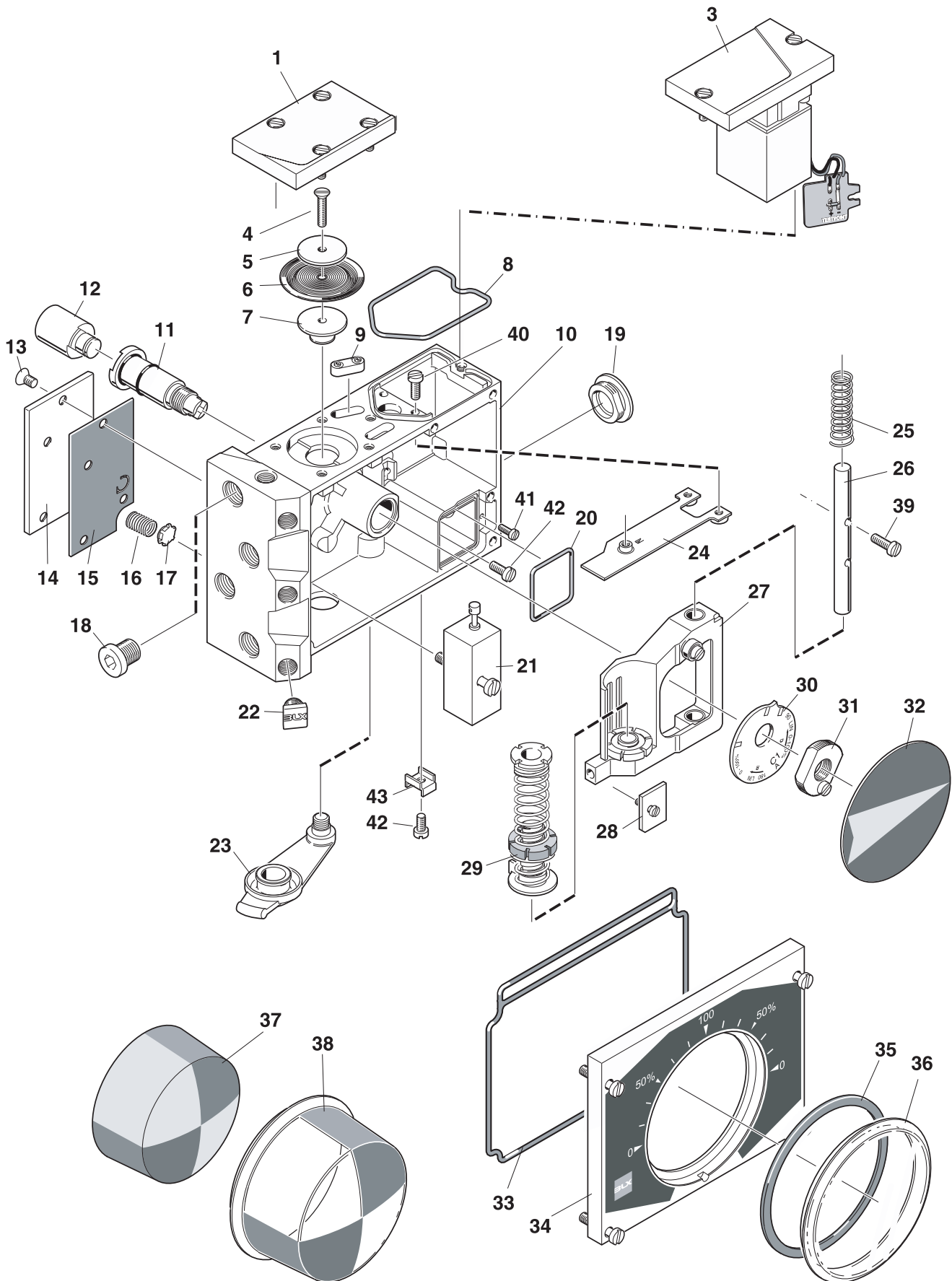




V100 Positioner





VALVE ACCESSORIES & CONTROLS, INC.

V100E Positioner

Item	Description	Part No.	Qty
1	Membrane Cover	400299	1
	Screw MCS 5x14-5 SS		4
	Mylar Washer	400277	4
	Membrane Cover O-ring	400275	1
3	I/P Converter Kit	400105	1
4, 5, 6, 7	Membrane Assembly	400296	1
4	Screw MCS 5x14-5SS		1
5	Membrane Washer	400303	1
6	Membrane	400263	2
7	Membrane Piston	400262	1
8	Top Cover O-ring	400271	1
9	Filter Cap	400260	1
10	Positioner Housing		1
	Bearing 15x8		
11	Drive Shaft	400295	1
	Drive Shaft O-ring (Large)	400273	1
	Drive Shaft O-ring (Small)	400274	1
12	Drive/Spindle		1
	Spring Circlip		1
13	Screw MFS 5.8 SS Tightening		1
14	Cover		1
15	Back cover plate gasket	400268	1
16	Safety Valve Spring	400258	1
17	Safety Valve Plug Nitrile	400269	1
18	Plug 1/4" S2610-1/4	400261	1
19	"Blind Plug NPT 1/2"	400270	1
	Blind Plug M20x1.5		1
	Blind Plug PG 13.5		1
21	Pilot Valve W1 (Low Gain)	400101	1
	Pilot Valve W2 (High Gain)	400102	1
	Pilot Valve W3 (Standard Gain)	400100	1
	Screw MCS 5.25-5 SS		1
	O-ring 18.5x1.5 NBR		1
	Pilot Valve Gasket	400293	4
22	Gauge Plug	400253	1
23	Zero Plug Nitrile	400264	



VALVE ACCESSORIES & CONTROLS, INC.

Item	Description	Part No.	Qty
24	Balance Arm	400252	1
25	Retainer Spring	400256	1
26	Guide Pin	400267	1
27	Guide Arm Assembly	400294	1
	Includes ball bearing		1
	Zero Screw		1
	Screw MCS 4x10 SS		1
	Bearing 8x8		2
28	Stop Washer	400254	1
	Screw MCS 4x8-4 SS		1
29	Feedback Spring Assembly 3-15	400287	1
	Feedback Spring Assembly 6-30	400288	1
30	Cam (C1 is standard)		1
31	Cam Nut	400251	1
	Screw MCS 4x8 SS		1
32	Indicator Arrow	400250	1
	Circlip SGA 15 SS		1
33	Front Cover O-ring Nitrile	400278	1
34	Front Cover Assembly	400201	1
	Front Cover O-ring Std		1
	90 degree mylar label		1
	Screw MCS 5x20-5 SS		4
	Mylar Washer	400277	4
35	Indicator Gasket Nitrile	400276	1
36	Indicator Cover Flat	400249	1
37,38	Indicator Raised/Beacon	400150	1
	Circlip SGA 15 SS		1
39	Screw MCS 4x16 SS		2
40	Screw MCS 4x10 SS		2
41	Screw MCS 3x10 SS		1
42	Screw MCS 4x8 SS		2
43	Grounding Clamp	400259	1

**Cams with other ranges, Front labels with other scale readings and Drives suitable for the most frequently used actuator types are available