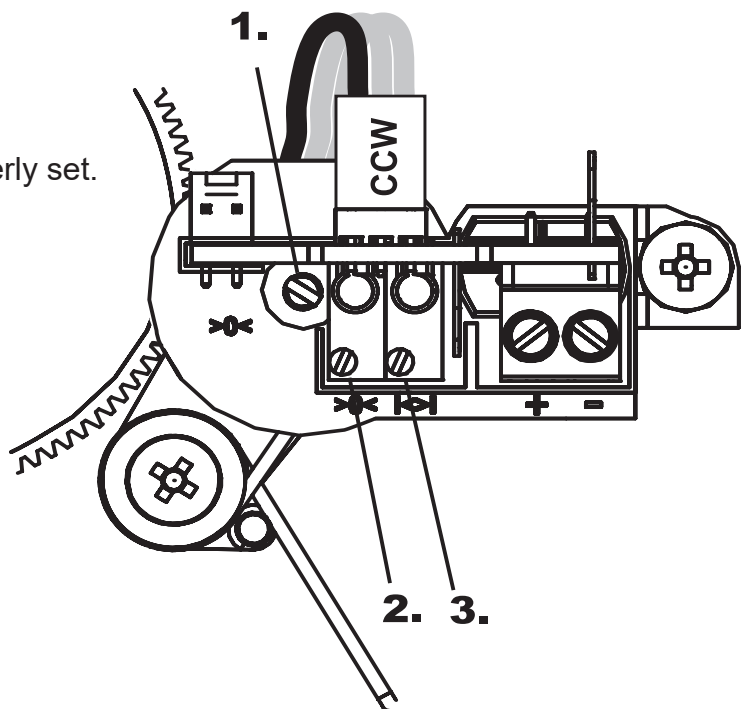


## Trouble Shooting- Reset & Calibration

If you are unable to properly zero and span the feedback, the potentiometers could be out of factory settings. In order to get back to factory settings please follow the steps 1-8 below.

**NOTE: Make sure V200E/P has first been properly calibrated!**

1. Turn the ZERO-pot(2) more than 22 turns counter clockwise.
2. Turn the ZERO-pot(2) 5-6 turns clockwise.
3. Turn the SPAN-pot(3) more than 22 turns counter clockwise.
4. Turn the SPAN-pot(3) 10-12 turns clockwise.
5. Turn the FEEDBACK-pot(1) until 3.7-3.9 mA is achieved.
6. Adjust the ZERO-pot(2) clockwise to 4mA.
7. Open the valve.
8. Adjust the SPAN-pot(3) to 20mA.
9. Close the valve.
10. Repeat (steps 6-9) until the unit is properly set.

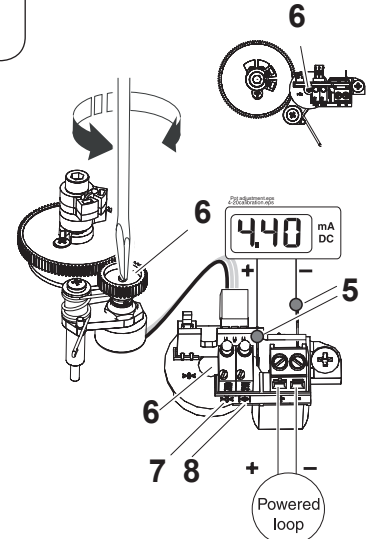


### 2.3.5 4-20mA transmitter Calibration



**Make sure V200E/P has first been properly calibrated!**

1. Power up the current loop.
2. Connect a low ohmic ampere meter over the test points(5).
3. Set the valve/actuator to the closed/zero position (4mA).
4. Turn the feedback potentiometer shaft(6) with a screw driver until you read 3.7 - 3.9 mA on the meter.



5. Adjust the trim potentiometer(7) marked zero so that the meter reads 4mA.
6. Set the valve/actuator to the open position (20mA).
7. Adjust the trim potentiometer(8) marked span until the meter reads 20mA.
8. Re-check the zero position (4mA) and make fine adjustments if necessary.

A very basic calibration can be accomplished without a meter, using the two LED's.

Red LED lights up below 3.9mA, Green LED lights up above 20.1mA.

